

Status: 12/2019 / Version: 1.0 EN / Item no.: 00602-3-005

Conversion instructions for RH arm carrier

Please read carefully before initial operation!

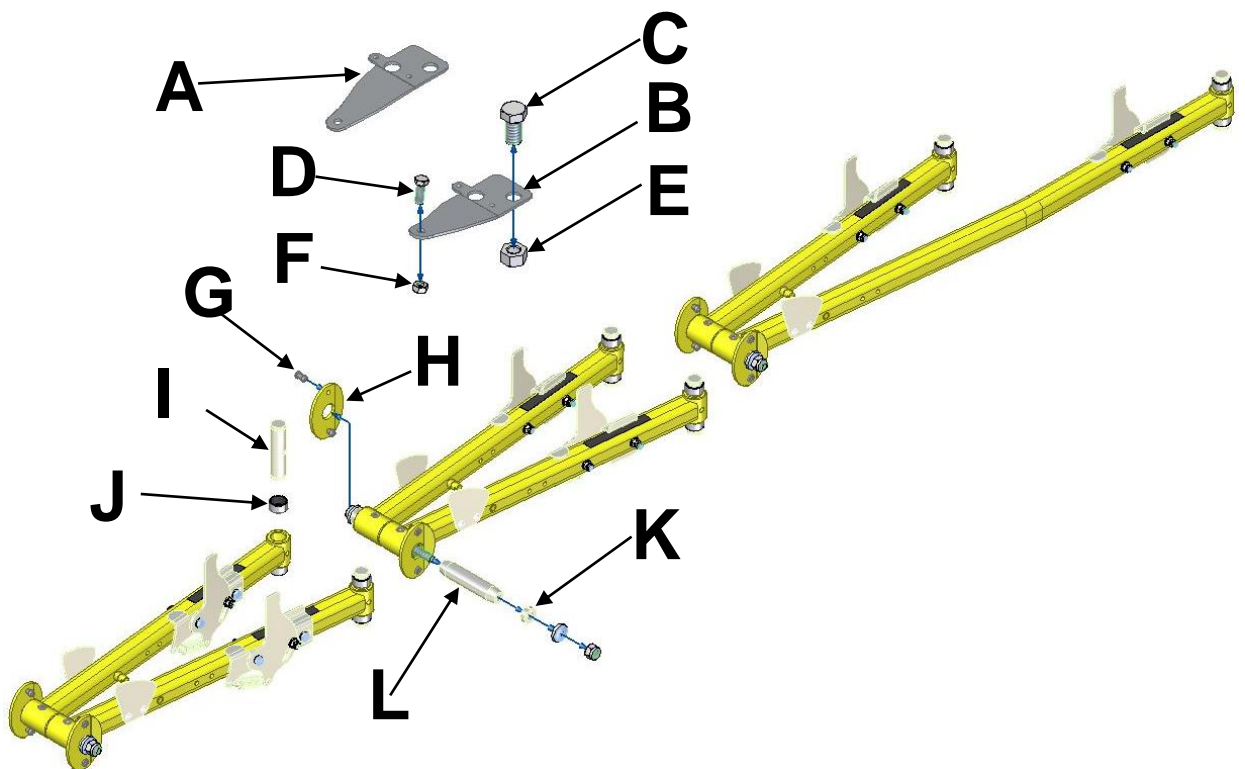
TRANSLATION OF ORIGINAL CONVERSION INSTRUCTIONS



Table of contents

1	Items included (07013-2-121).....	2
2	Preparation of the basic part.....	3
3	Installing the arm carrier.....	5
4	Replacing the bearing on the arm.....	6

1 Items included (07013-2-121)



- A- Drilling template 1
- B- Drilling template 2
- C- Hexagonal bolt M20x40
- D- Hexagonal bolt M10x30
- E- Hexagonal nut M20
- F- Hexagonal nut M10
- G- Blind rivet 6.4 x17.8
- H- Sheet metal profile reinforcement RAL 1021
- I- Pin D20 x82.6
- J- Slide bearing 20-23-12
- K- Spring dowel pin
- L- Pin

2 Preparation of the basic part

Remove all parts from the basic part, so that they are laying loosely in front of you, as shown in Figure 1.



Figure 1: Basic part



Figure 2: Drilling template

Now put on the correct drilling template (**A** or **B**) and fix it with the M20 and M10 hexagonal bolt (**C** & **D**) as shown in Figure 3.

Then drill the hole, as shown in Figure 4, with a twist drill size 22.5.



Figure 3: Installed drilling template



Figure 4: Drilling a 22.5-mm hole

After you have drilled the large hole, drill the two smaller holes in the template with a 7-mm twist drill.

Repeat all steps on the other side.



Figure 5: Drilling the 7-mm holes



Figure 6: Riveting on the sheet metal profile reinforcement

Then rivet **(G)** on the sheet metal profile reinforcement **(H)** on both sides (Figure 6).



TIP!

It is recommended to use a pneumatic rivet gun.

3 Installing the arm carrier

Remove the spring adjustment from the old arm carrier and install it on the new supplied arm carrier (Figure 7).

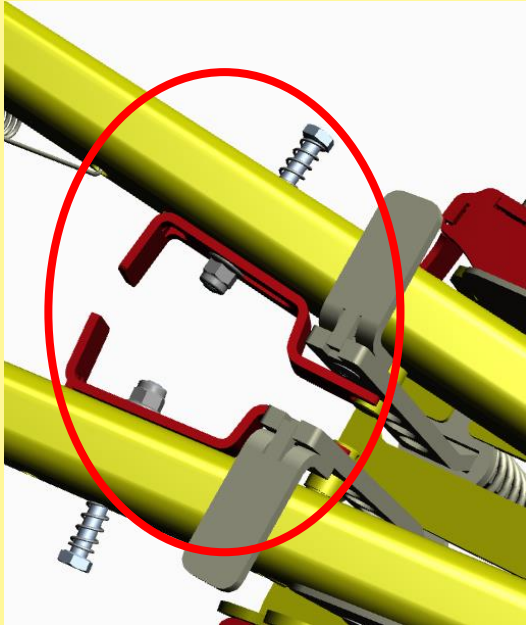


Figure 7: Installing the spring adjustment on the arm carrier

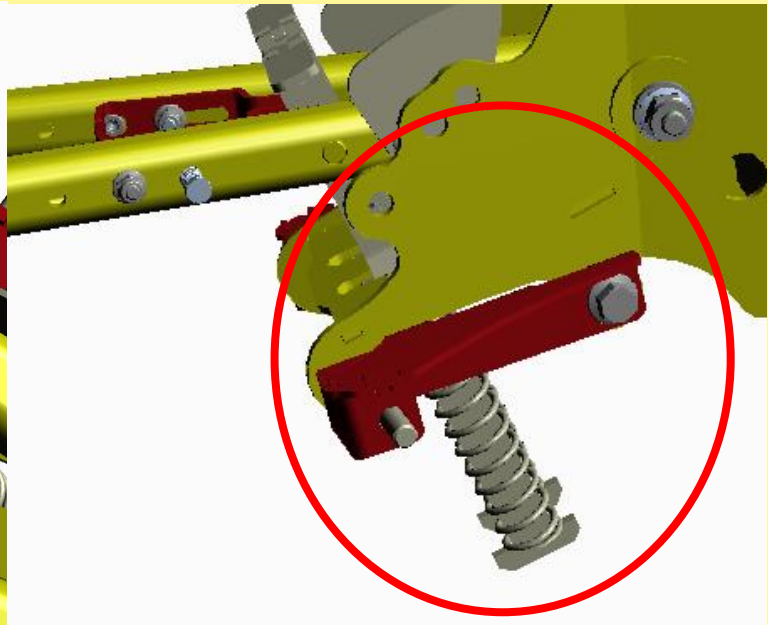


Figure 8: Installing the quick lifting device

Install the quick lifting device back in the same position from which you took it off (Figure 8).

Insert the arm carrier into the basic part and fix it temporarily with the clamping pin (L) (Figure 9).

Pay attention to the correct position of the spring dowel pin (K) when you fix the clamping pin (see Figure 10 as well as above in the items included).

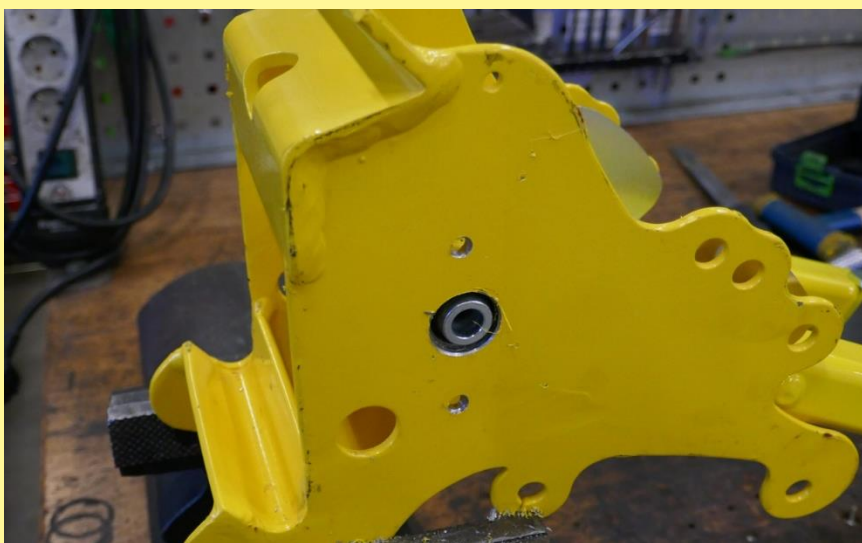


Figure 9: Temporary fixing of the arm carrier with clamping pins



Figure 10: Position of the spring dowel pin



CAUTION!

Tighten the clamping pin in the middle so that it can no longer be turned.

4 Replacing the bearing on the arm

First, disconnect the old connection between the arm and the arm carrier (Figure 11). Then remove the old slide bearings. A punch or a chisel is suitable for this.

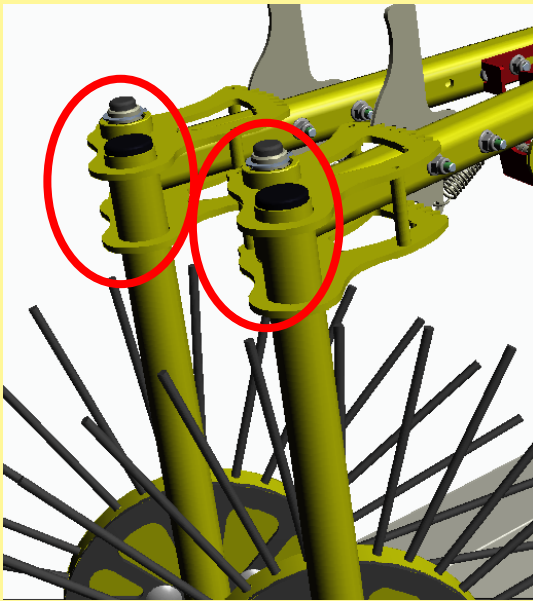


Figure 11: Replacing the bearing on the arm

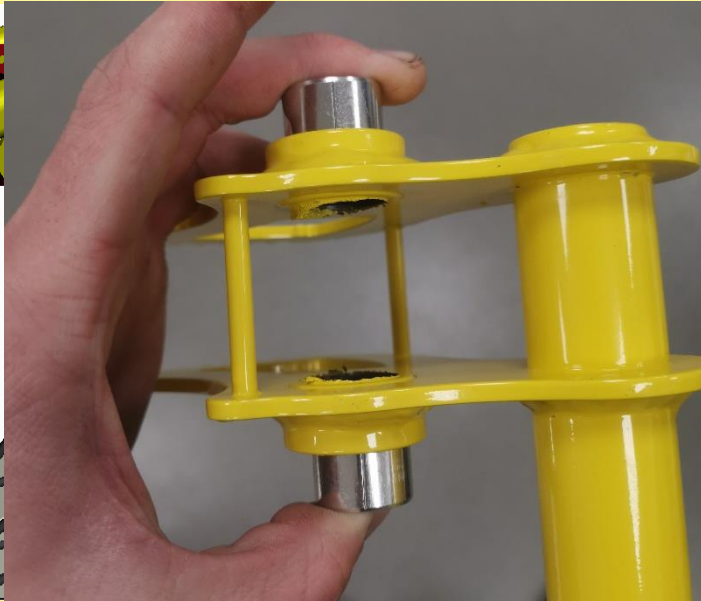


Figure 12: Installing the new slide bearing

After the old slide bearings have been removed, press in the new slide bearings (J).



CAUTION: Damage to the slide bearing!

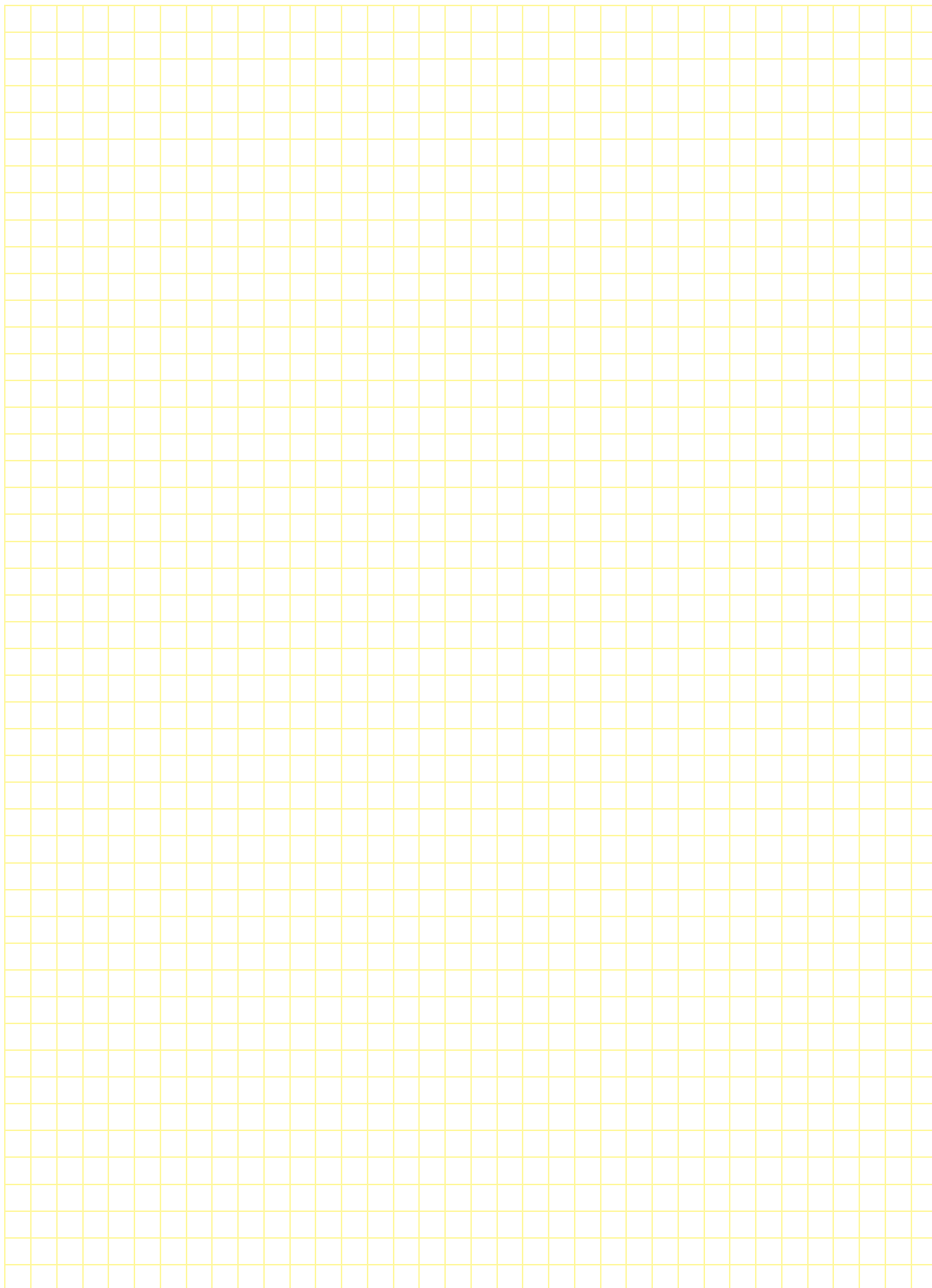
Press the new slide bearings only straight in.

➤ This is more easily done with a hydraulic press.

After installing the new slide bearings, install the arm with the pin (I) exactly the same as for the old arm carrier (Figure 12).

The conversion of one unit is now complete, and the next one can be started.

Notes



Qualität für Profis

- seit 1997 -



APV – Technische Produkte GmbH
HEADQUARTERS

Dallein 15, AT-3753 Hötzelstdorf, Austria

Telephone: +43 (0) 2913 / 8001

Fax: +43 (0) 2913 / 8002

email: office@apv.at

Web: www.apv.at

Company details

APV - Technische Produkte GmbH, Managing Director: Ing. Jürgen Schöls, Dallein 15,
AT-3753 Hötzelstdorf, Austria, marketing@apv.at, www.apv.at, VAT ID no.: ATU 5067 1107

Photo credits: Company photos © APV