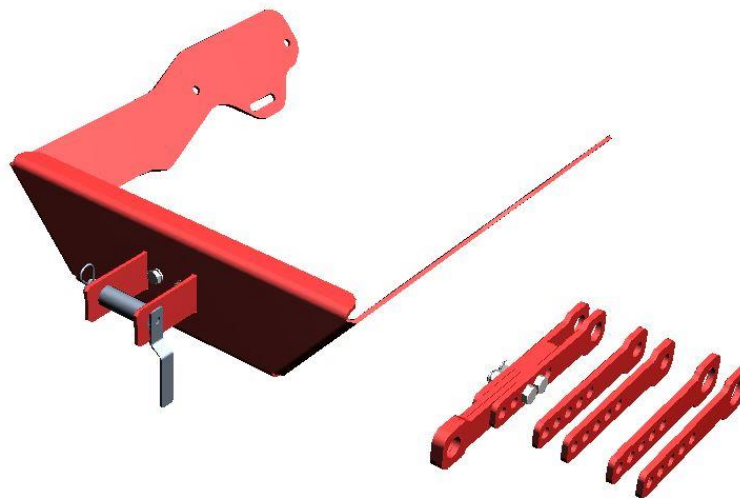


THREE-POINT MOUNTING BRACKET PS120-500 M1/M2

INSTALLATION INSTRUCTIONS



PLEASE READ CAREFULLY BEFORE PERFORMING THE INSTALLATION!



TABLE OF CONTENTS

1 REQUIRED PARTS3

2 INSTALLATION ON THE SEEDER4

3 MOUNTING ON THE TRACTOR6

4 NOTES.....7

1 REQUIRED PARTS

To be able to install a Pneumatic Seeder of type PS120-500 on the three-point of a tractor, the following kit is required.

- **Top link mounting kit for PS120-500** **04000-2-114**

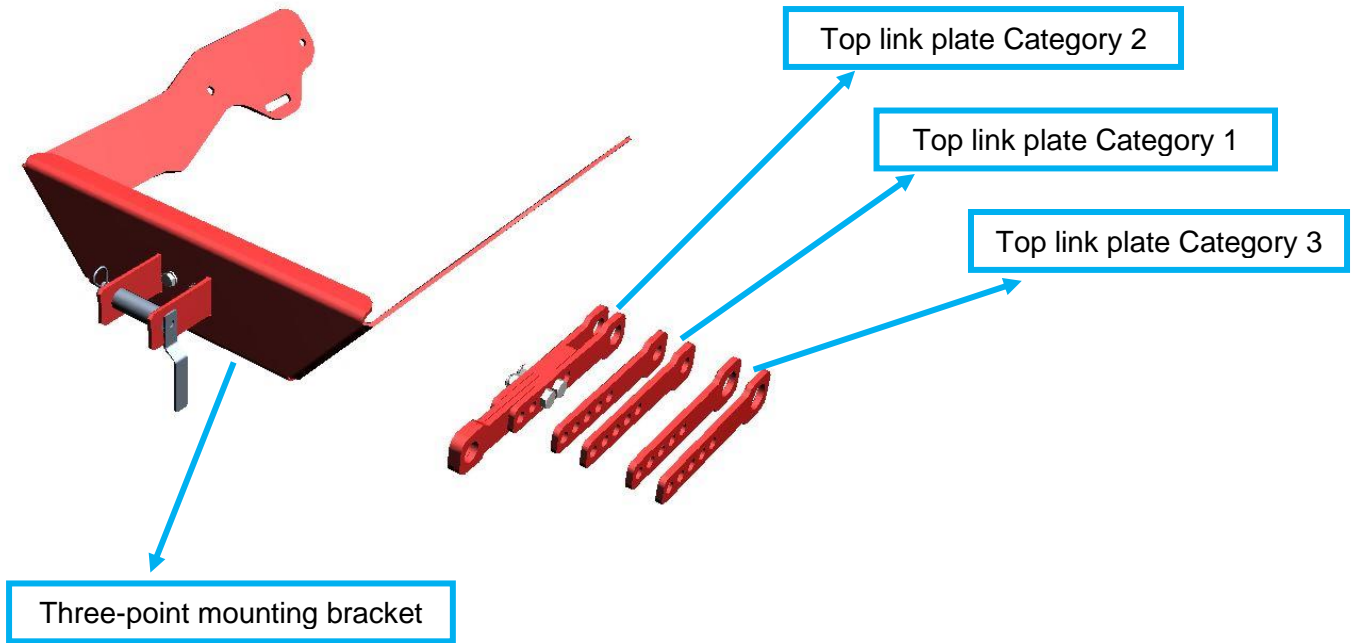


Figure 1: Top link mounting kit 04000-2-114

In addition to the top link mounting kit, a counter plate is required, which is already part of the items included as a standard with the Pneumatic Seeder.

- **Counter plate P8** **04000-3-060**

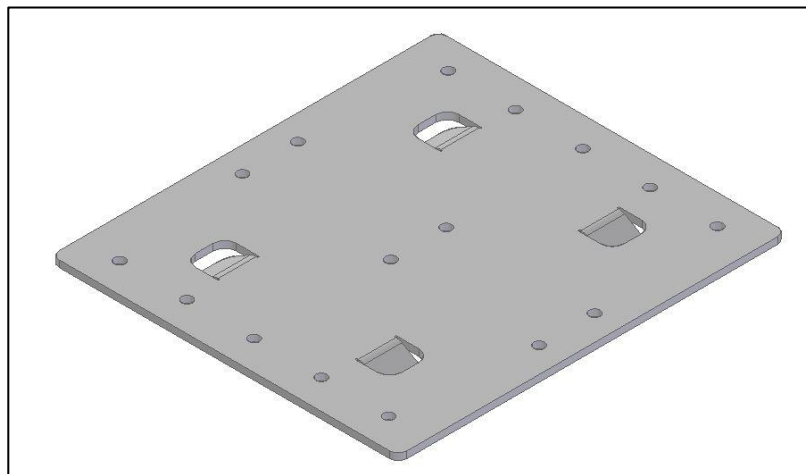


Figure 2: Counter plate 04000-3-060

2 INSTALLATION ON THE SEEDER

First, the six hexagonal bolts (10x35 mm) that attach the plastic tank to the steel rack must be removed.

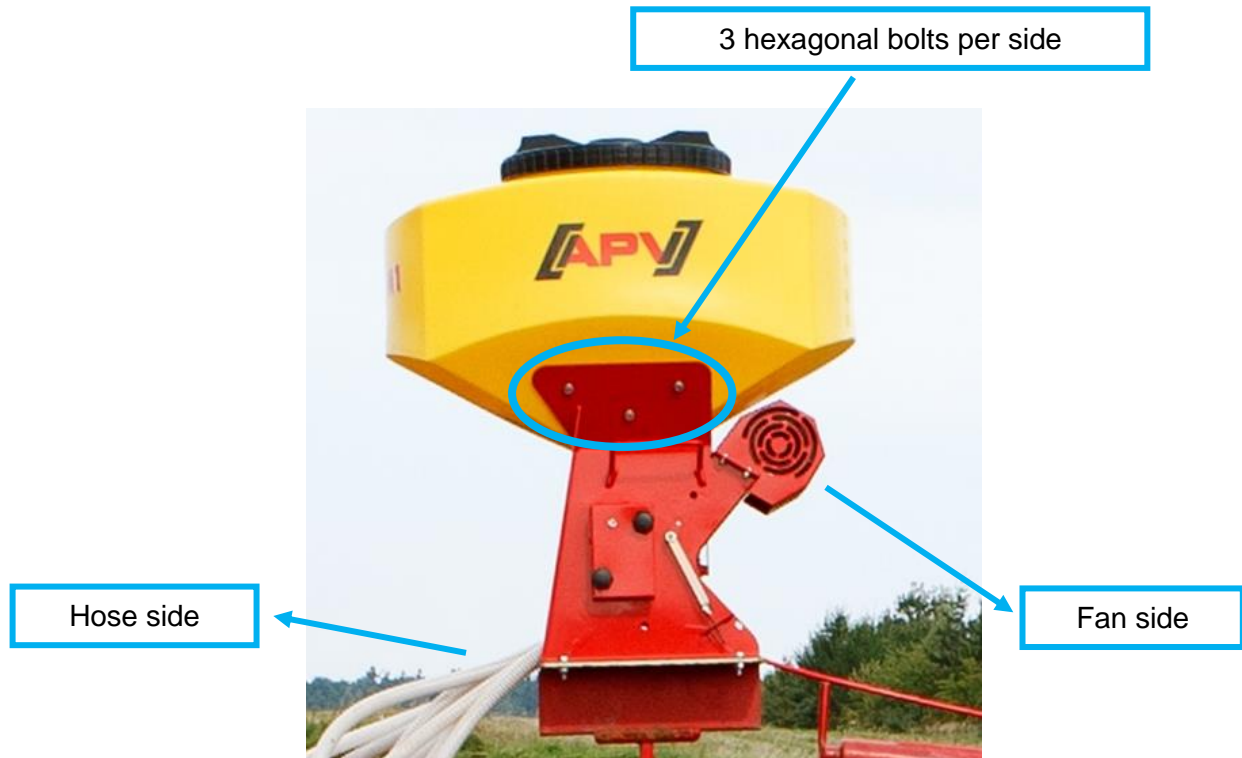


Figure 3: Removing the bolts on the seeder

Now the three-point mounting bracket can be bolted back on again together with the steel rack and the tank. To do this, the same holes and the previously removed 10x35 mm hexagonal bolts can be used.

CAUTION!

If an electric fan is equipped, the three-point mounting bracket can be installed either towards the fan side or towards the hose side. If the seeder is equipped with a hydraulic fan, however, the three-point mounting bracket must be installed towards the hose side.



Figure 4: Three-point mounting bracket installed on the seeder 1



Figure 5: Three-point mounting bracket installed on the seeder 2



Figure 6: Three-point mounting bracket installed on the seeder 3

3 MOUNTING ON THE TRACTOR

For mounting on the tractor, the three-point mounting bracket must be connected to the tractor with the top link. The supplied rigid top link can be used for this. Depending on the requirements, it can be equipped either with CAT 1, 2 or 3 plates (see 1 Required parts).

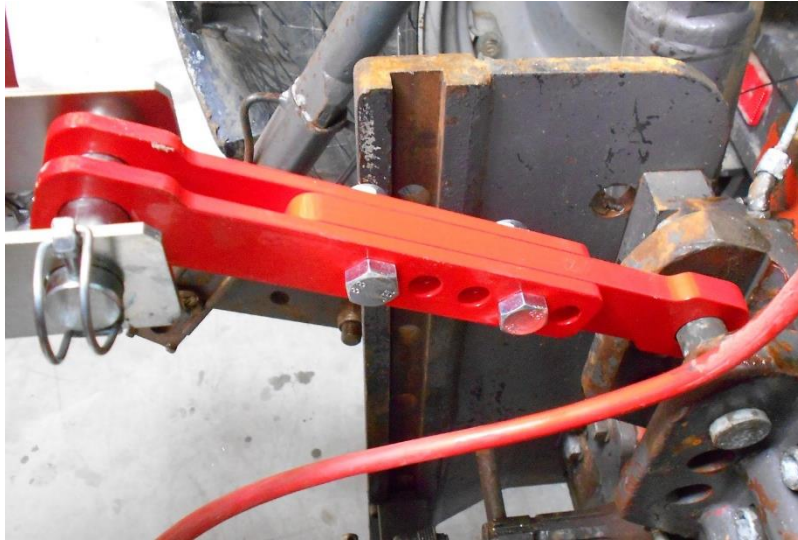


Figure 7: Top link mounting

In addition, the linkage drawbar must still be clamped between the frame of the spreader and the counter plate, thus forming the lower link mounting. To do so, the corresponding hexagonal bolts must be used.



Figure 8: PS mounted on the tractor with three-point mounting bracket 1



Figure 9: PS mounted on the tractor with three-point mounting bracket 2



APV – Technische Produkte GmbH
Zentrale: Dallein 15
AT - 3753 Hötzelndorf

Tel.: +43 2913 8001
office@apv.at
www.apv.at

